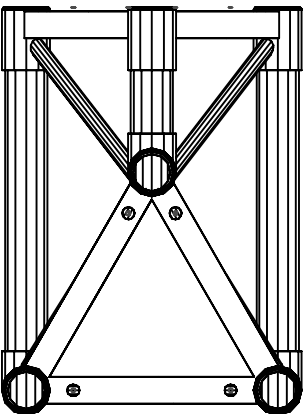
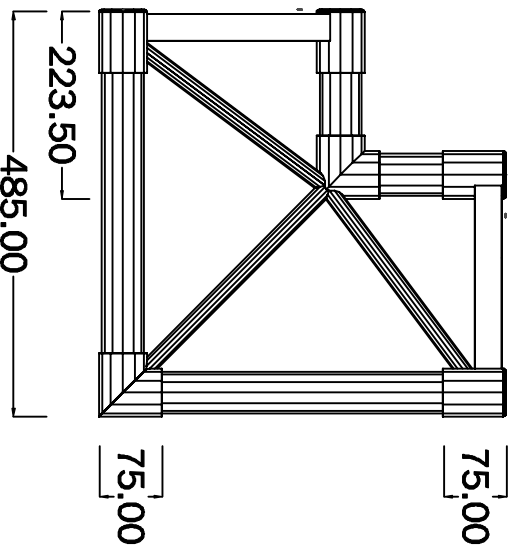


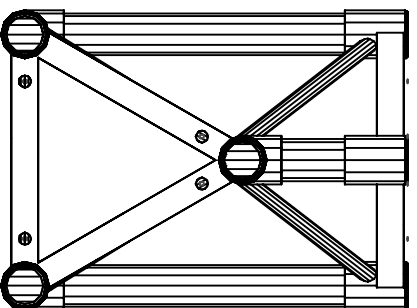
Plan



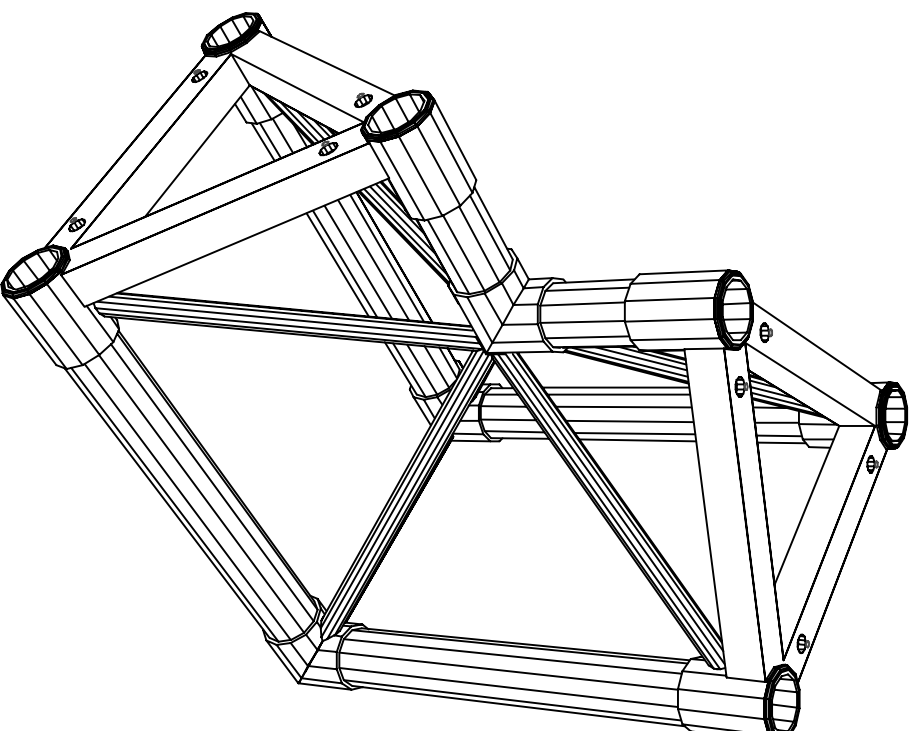
Side Elev.



End Elev.



Perspective



Client: **IN HOUSE**

Project: **TRI Corner APEX IN**

Drawing: **CONSTRUCTION DETAIL**

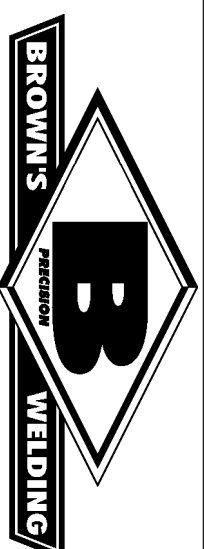
Drawing Details: Plan, Side & End Elev. & Perspective

Scale: See Drawing for measures Drawing No: 001-A

Version: **1.0** Date: **16/04/02**

Drawing Name: **Vert-TRICNR-apexin.DWG**

Drawing by: **Beau Southey**



138 - 146 Browns Road Noble Park Victoria 3174

Tel: 613 9701 2355 Fax: 613 9701 2511 Mob: 0409 413 908

THIS DRAWING AND ALL ASSOCIATED FILES REMAIN THE STRICT PROPERTY OF BROWNS PRECISION WELDING PTY. LTD. NOT TO BE REPRODUCED IN ANY FORM, WITHOUT THE PERMISSION OF BROWNS PRECISION WELDING PTY. LTD. © FEBRUARY 2002

Scale in Centimetres

